

LIGHTING CONTROLS

ROBUS®

PROTON 360° & 180° RECESSED & SURFACE MOUNT PIR'S, MANUAL OVERRIDE

This superb range of 180° IP44/54 and 360° IP20 Passive Infra-Red detectors are designed using the latest electronic integrated chips to provide reliable, accurate detection to ensure that lighting is switched on only when required, but more importantly, switched off when the area is vacated to make much sought after energy savings



Applications:

- Commercial offices
- Corridors & Stairways
- Workshops & Garages & Sheds
- Kitchens
- Basements. Back of house and Storage areas
- Toilets & Cloakrooms
- Apartment communal areas
- Gallery or museum displays
- Gardens, Patios & Decking areas
- Parking areas, Driveways, Paths & Walkways
- Loading bays
- Corner mounting in larger rooms

Construction:

Polycarbonate Sensor Body
Self-coloured White or Black

Features:

- White polycarbonate IP20 360° and IP44 180°
- White or black IP54 180° PIR's
- Flush mounting sensor has cuttable shield included
- Optional corner mounting brackets for 180° sensors available
- Horizontal and vertical adjustable multi-position 180° sensor
- High quality sensor head and lens ensures detection of occupancy and motion in respective areas
- Easily accessible time and lux potentiometers
- Adjustable delay-off time and lux switching level
- Manual over-ride with automatic reset
- Excellent LED load rating
- No minimum load requirements
- Earth terminal included
- Large terminals suitable for 2 conductors in each
- 5-year warranty

Benefits:

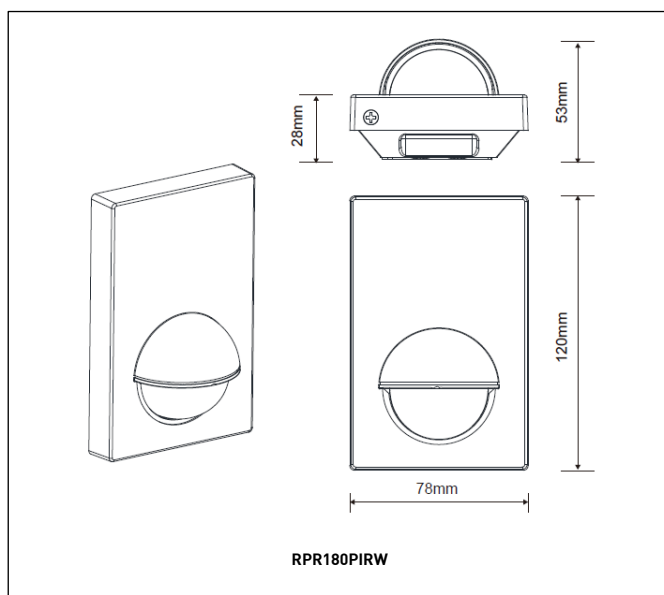
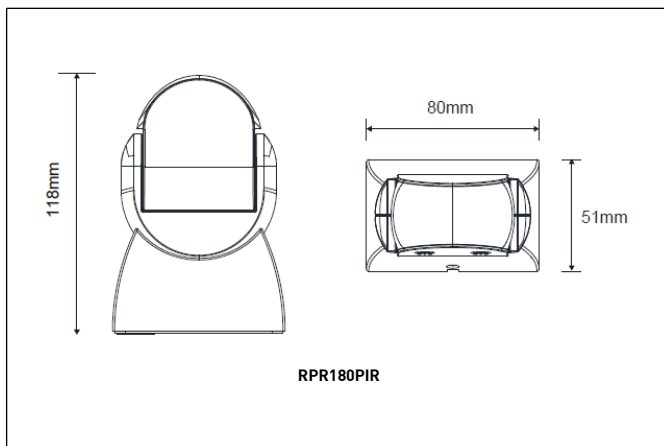
- Strong and durable material that won't discolour over time
- Full range of recessed or wall mounted PIR's for indoor and outdoor use
- Choice of finish colour of 180° version to match building
- Infra-red provides reliable detection with less false switching
- Allows bespoke asymmetric detection area to be set
- Increased mounting versatility for internal or external corners
- Sensor can be aimed to only detect a specific area
- Remedies nuisance switching by neighbours or passers-by
- Ensures lighting is switched and remains on when needed
- Suitable for detection of movement in offices, corridors or outdoors
- Allows for fast and simple set-up
- Quick setup with 10 second walk test
- Guaranteed energy saving by switching off after delay
- Saves on energy costs by inhibiting the lighting switching on when it is light enough
- Allows manual over-ride-on for up to 8 hours before resetting
- Manual over-ride can be cancelled at any time to continue energy saving
- Able to switch up to 30 x 10W LED downlights or 9 x 32W LED panels
- A single low wattage fitting can be switched if required
- Provides earth continuity for the circuit
- L_s, N, & E conductors can be taken to light fitting without using a JB
- A quality, energy saving, long life product with no warranty form filling or internet registration required

LIGHTING CONTROLS

ROBUS®

PROTON 360° & 180° RECESSED & SURFACE MOUNT PIR'S, MANUAL OVERRIDE

Product Codes:	White: Black:	RPR180PIR-01 RPR180PIR-04	RPR180PIRW-01 N/A	RPR360PIRF-01 N/A	RPR360PIRR-01 N/A
Maximum Load Incandescent/fluorescent/LED (W):		1200/300/300	1200/300/300	1200/300/300	800/400/400
MIN/MAX Mounting Height (m):		1.8/2.5	1.8/2.5	2.2/2.5	2.2/2.8
Detection zone diameter @ Min/Max mounting height (m):		12	12	5	6
Detection Angle (deg):		180	180	360	360
Manual Over-ride Time (min):		480	480	480	480
Hold Time Range (min):		10s/15min	10s/15min	10s/15min	10s/15min
Lux Switching Level Range (lx):		3-2000	3-2000	3-2000	3-2000
Warranty (yrs):		5	5	5	5
Ingress Protection (IP):		54	44	20	20
Ambient Operating Temperature (°C):		-20 ≤ Ta ≤ +40	-20 ≤ Ta ≤ +40	-20 ≤ Ta ≤ +40	-20 ≤ Ta ≤ +40
Operating Voltage (Vac):		220-240	220-240	220-240	220-240
Length (mm):		118	NA	NA	NA
Width (mm):		80	78	NA	NA
Height (mm):		51	120	NA	NA
Depth (mm):		NA	53	68	79
Diameter (mm):		NA	NA	76	80
Cut Out (mm):		NA	NA	69	66
Box Qty:		1	1	1	1
Weight (kg):		0.16	0.13	0.1	0.11



Accessories:

RPRBRKW-01 CORNER MOUNT BRACKET FOR RPR180PIRW-01

RPRBRK-XX CORNER MOUNT BRACKET FOR RPR180PIR-XX

Note: Replace XX above with 01 for white and with 04 for black

Standards & Approvals:

Complies with: EN 61058-1, EN 55015, EN 61000-3-2, EN 61000-3-3, EN 61547

